



INSTALLATION INSTRUCTIONS

Accessory
KAYAK ATTACHMENT
P/N 08L09-TA1-200

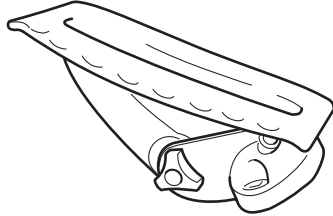
Application
2016 MDX

Publications No.
VERSION 1
Issue Date
JAN 2015

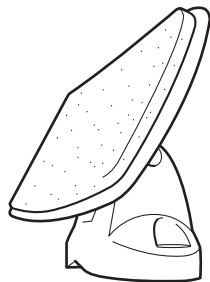
Put this information in the glove box with the vehicle owner's manual.

PARTS LIST

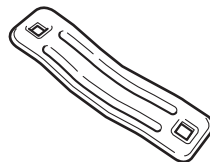
2 Saddles



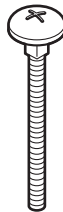
2 Hydro-glide assemblies



4 Brackets



8 Bolts



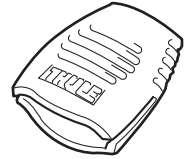
8 Knobs



2 Straps with buckles



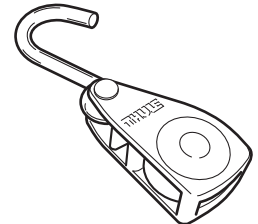
2 Buckle covers



2 Attachment Straps



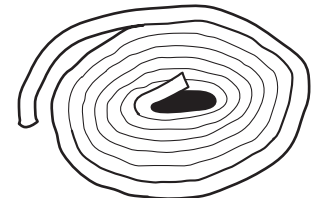
2 Ratchets (with hooks)



2 Hooks



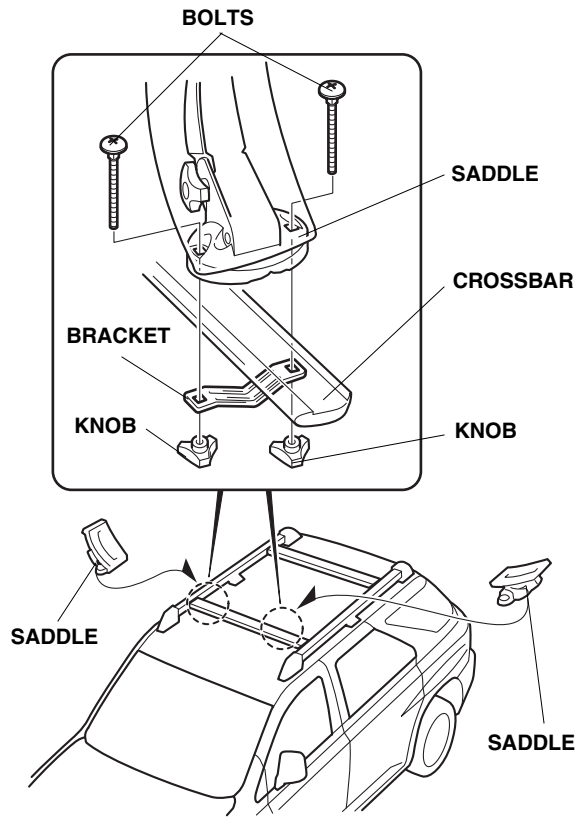
2 Pieces of rope



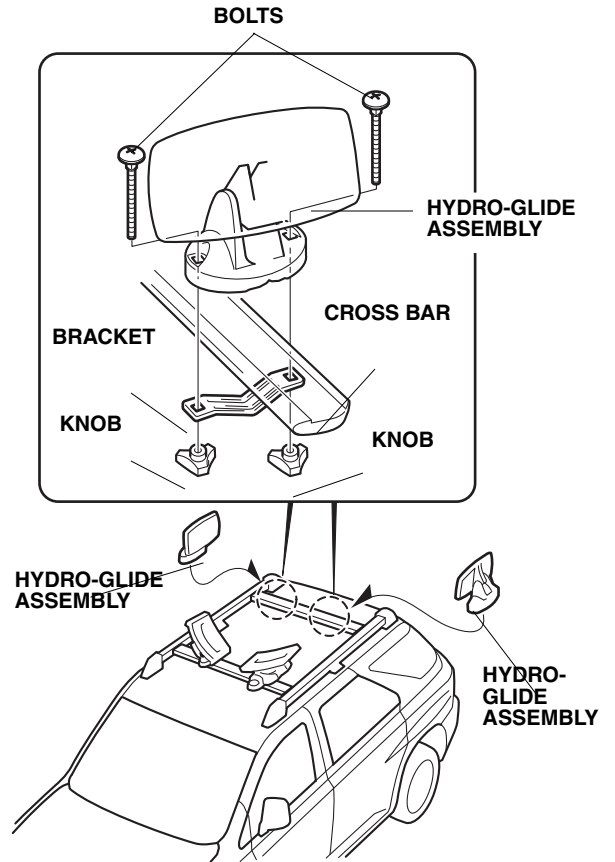
INSTALLATION

NOTE: Be careful not to damage the finished surfaces of the body when installing the kayak attachment.

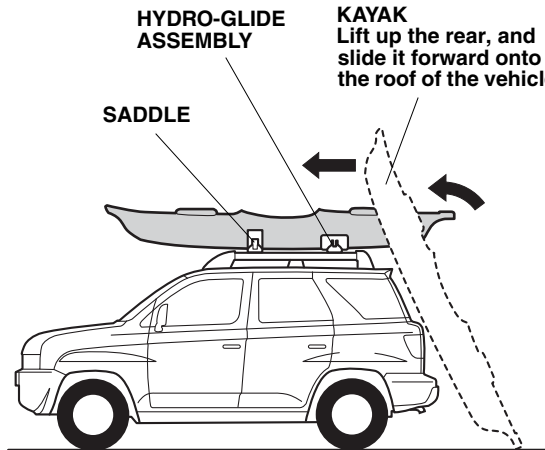
1. Position the two saddles on the front crossbar. Loosely install the saddles using one bracket, two bolts and two knobs for each saddle. The distance between the two assemblies should be the same width as the kayak.



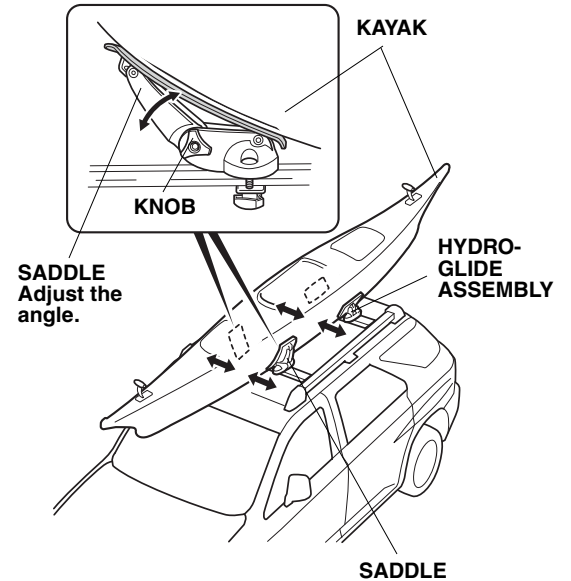
2. Position the two hydro-glide assemblies on the rear crossbar. Loosely install the hydro-glide assemblies using one bracket, two bolts, and two knobs for each assembly. The distance between the two assemblies should be the same width as the kayak.



3. Set the front of the kayak on the hydro-glide assemblies. Standing behind or alongside the kayak, lift up the rear of the kayak and push it forward onto the hydro-glide assemblies and saddles. Make sure the kayak reaches the front saddles before you lower it.

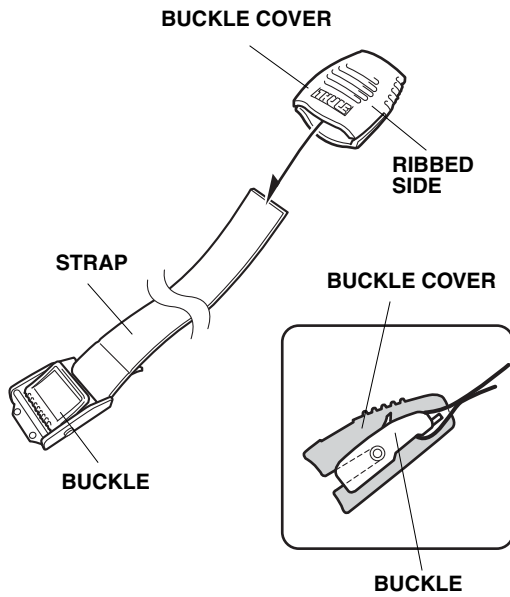


4. Adjust the distance between the saddles and the hydro-glide assemblies to the same width as the kayak, then secure the saddles and the hydro-glide assemblies by tightening the knobs you installed in steps 1 and 2.

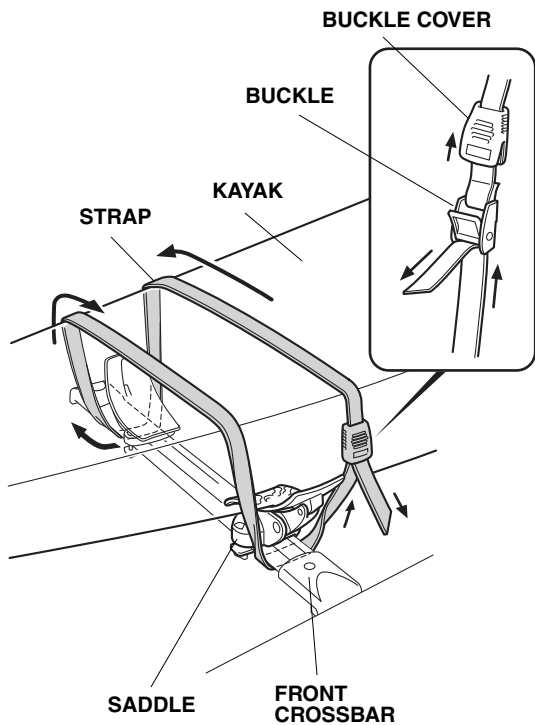


5. Slide the kayak forward or backward until it's level with the roof. If necessary, loosen the knob on each saddle and adjust the saddle angle to fit snugly against the kayak. Tighten each knob securely.

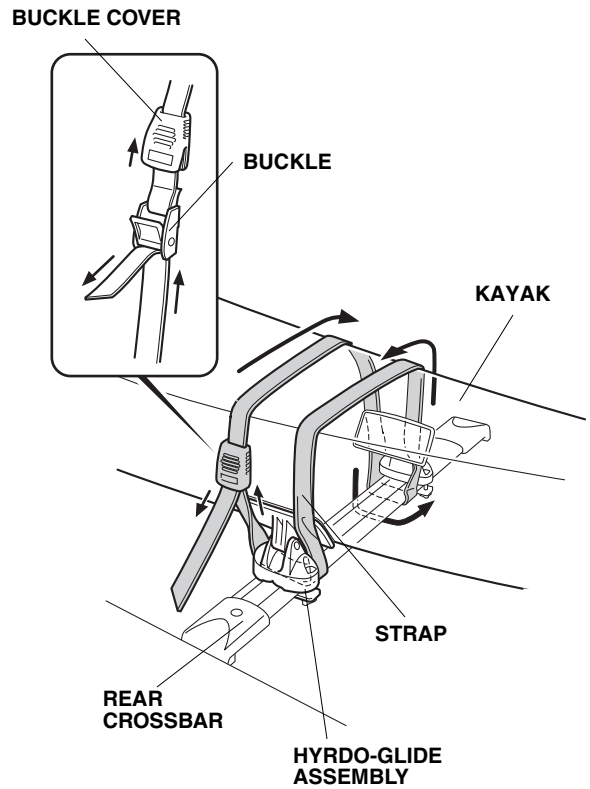
6. Route each strap with buckle through a buckle cover with the ribbed side facing up.



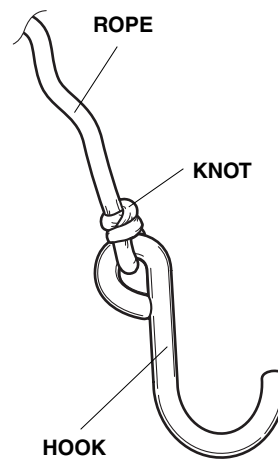
7. Route the strap under the front crossbar and around the kayak as shown. Slide the buckle cover away from the buckle, route the strap through the buckle, and tighten the strap. Slide the buckle cover back over the buckle.



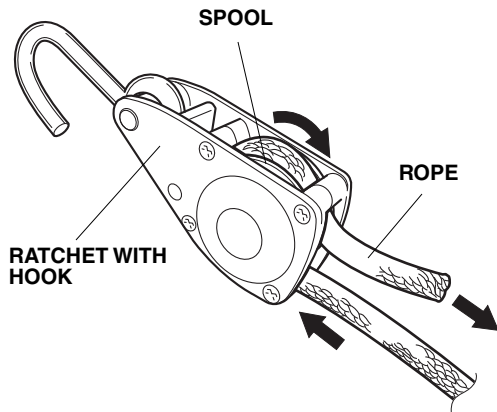
8. Route the strap under the rear crossbar and around the kayak as shown. Slide the buckle cover away from the buckle, route the strap through the buckle, and tighten the strap. Slide the buckle cover back over the buckle.



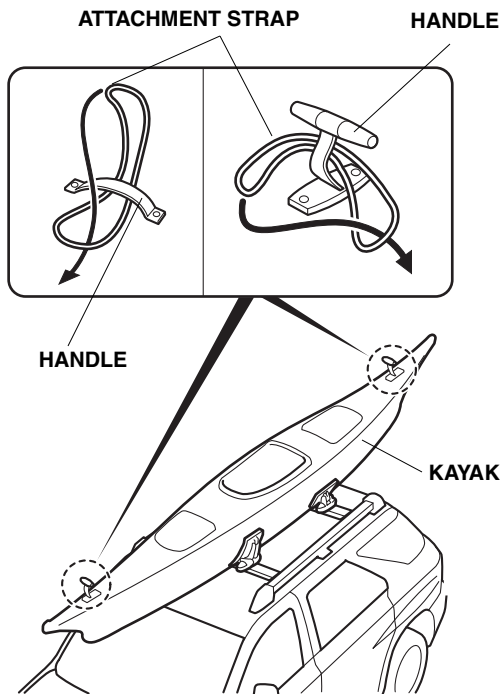
9. Tie an end of each piece of rope to a hook.



10. With the hook facing in the direction shown, route the other end of the rope through the bottom of a ratchet. Turn the spool until the rope end comes out of the ratchet.

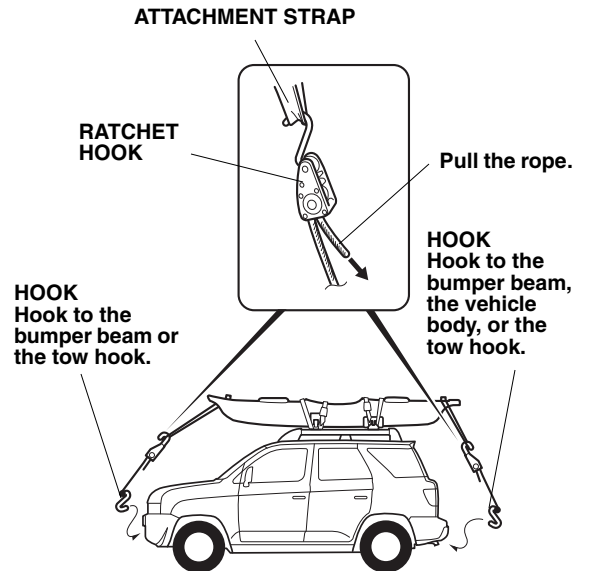


11. Wrap the attachment straps around the handles at the front and the rear of the kayak.



12. Attach one ratchet hook to the front attachment strap and one ratchet hook to the rear attachment strap. Attach the front hook to the front bumper beam or to the tow hook. Attach the rear hook to the rear bumper beam, vehicle body, or to the tow hook. Secure the kayak to the vehicle by pulling the rope through the ratchet hooks.

- Make sure the hook and the rope do not rub against the finished surfaces of the vehicle. Reposition the kayak or use a soft cloth or rag to protect the vehicle's paint.
- Do not attach the hook to plastic parts of the vehicle.



13. To loosen the rope, push up on the ratchet release lever, then pull on the rope.

